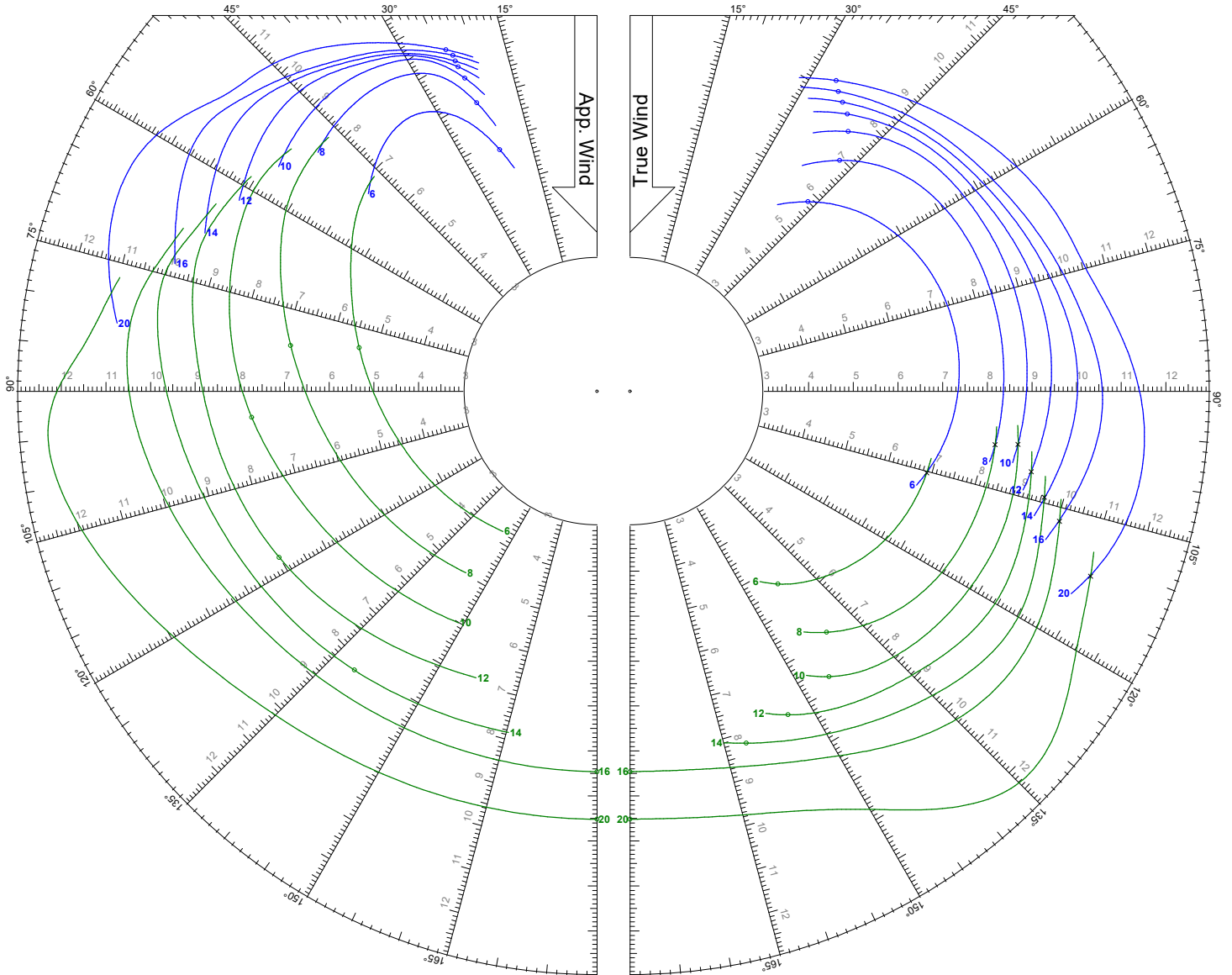




ORC

World Leader in Rating Technology

# Speed Guide



## Polar Plot for Boat

Name **Arcona white**  
Sail Number **100**  
Class **ARCONA 465**  
Designer **S.QVIBERG**  
Builder **ARCONA YACHTS**  
Issued On **19/01/2016 - VPP 2016 a028**

TWS: 6, 8, 10, 12, 14, 16, 20 kts

**Jib**

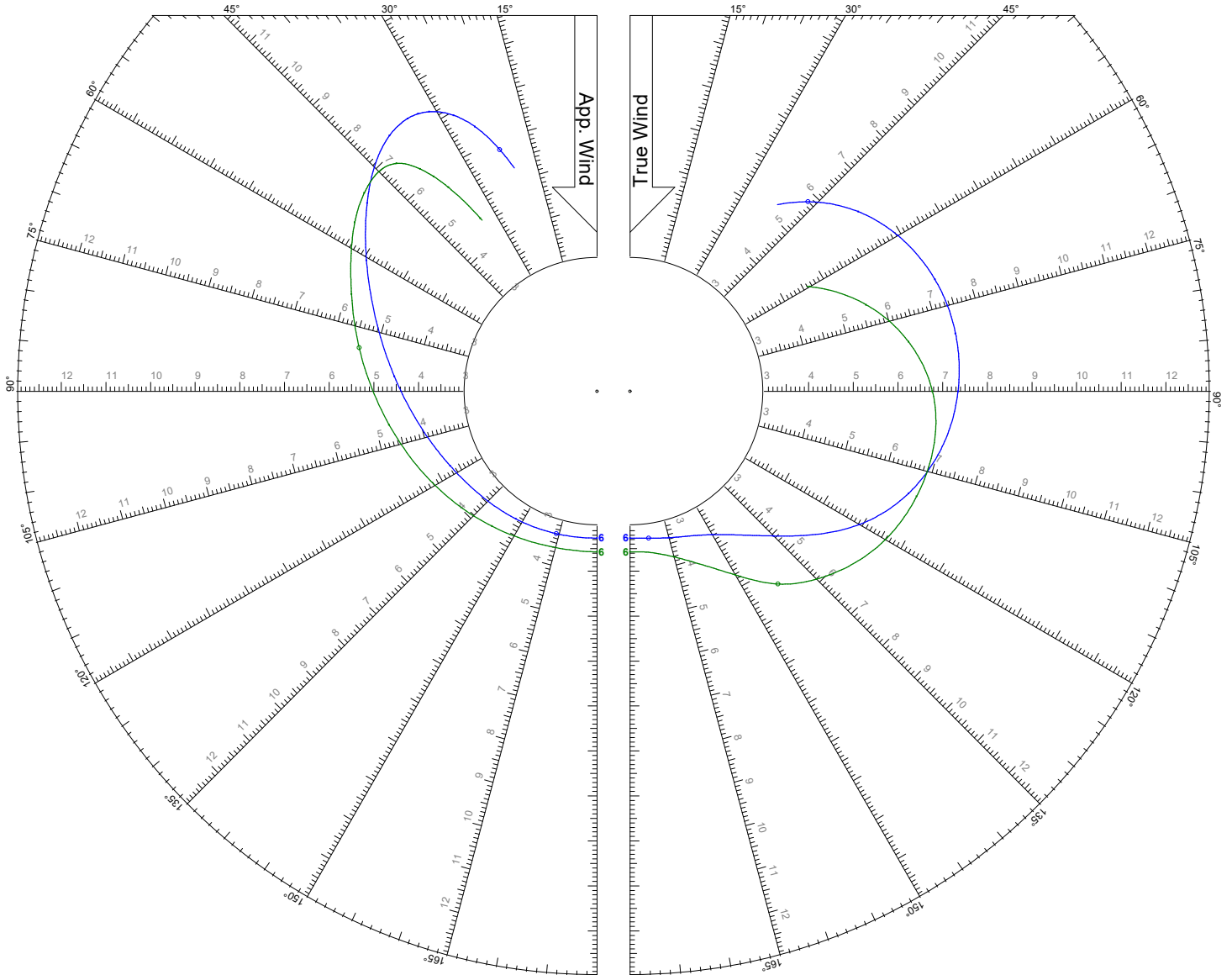
**Symmetric Spinnaker**



ORC

World Leader in Rating Technology

# Speed Guide



## Polar Plot for Boat

Name **Arcona white**  
Sail Number **100**  
Class **ARCONA 465**  
Designer **S.QVIBERG**  
Builder **ARCONA YACHTS**  
Issued On **19/01/2016 - VPP 2016 a028**

TWS: 6 kts

Jib

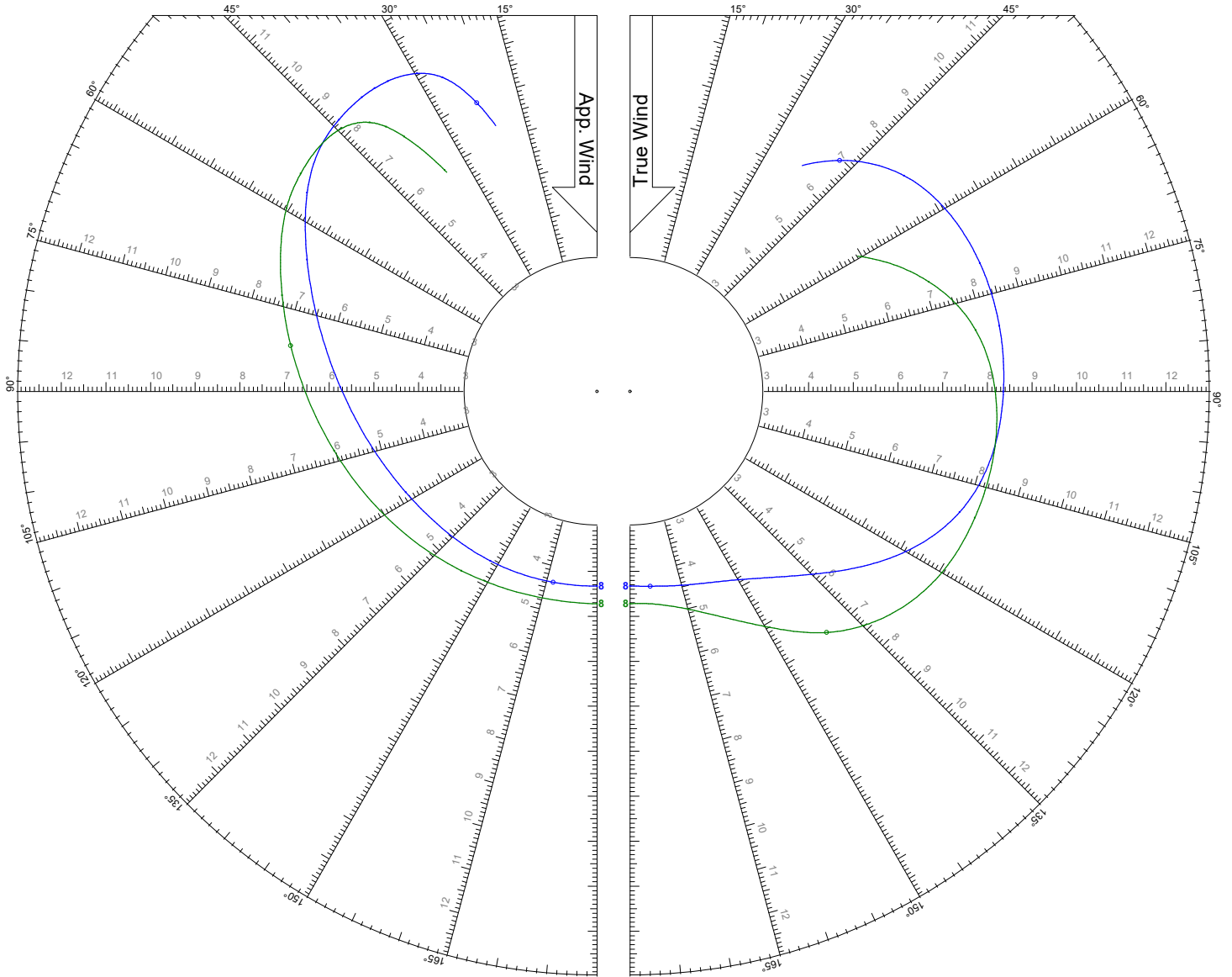
Symmetric Spinnaker



ORC

World Leader in Rating Technology

# Speed Guide



## Polar Plot for Boat

Name **Arcona white**  
Sail Number **100**  
Class **ARCONA 465**  
Designer **S.QVIBERG**  
Builder **ARCONA YACHTS**  
Issued On **19/01/2016 - VPP 2016 a028**

TWS: 8 kts

Jib

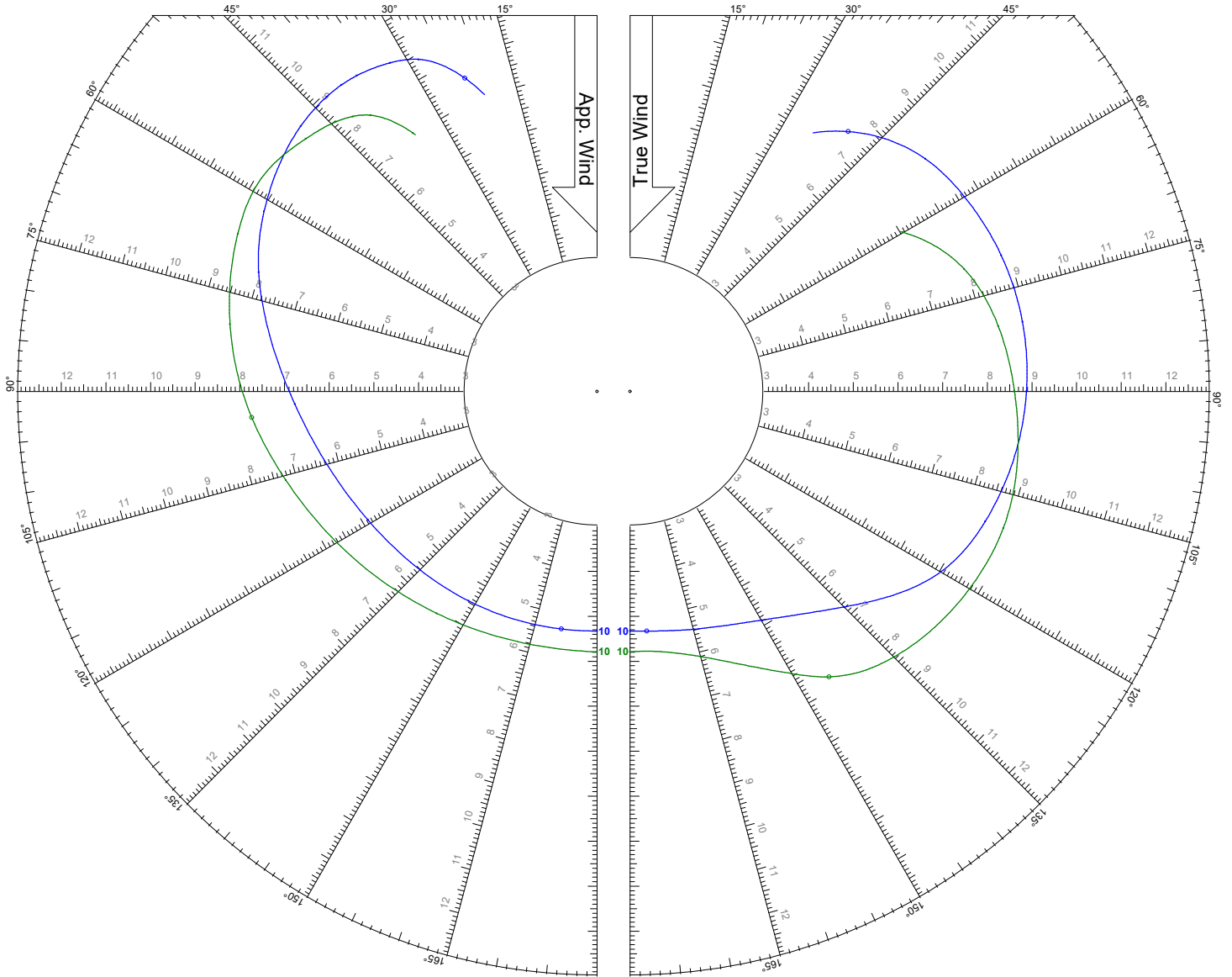
Symmetric Spinnaker



ORC

World Leader in Rating Technology

# Speed Guide



## Polar Plot for Boat

Name **Arcona white**  
Sail Number **100**  
Class **ARCONA 465**  
Designer **S.QVIBERG**  
Builder **ARCONA YACHTS**  
Issued On **19/01/2016 - VPP 2016 a028**

TWS: 10 kts

Jib

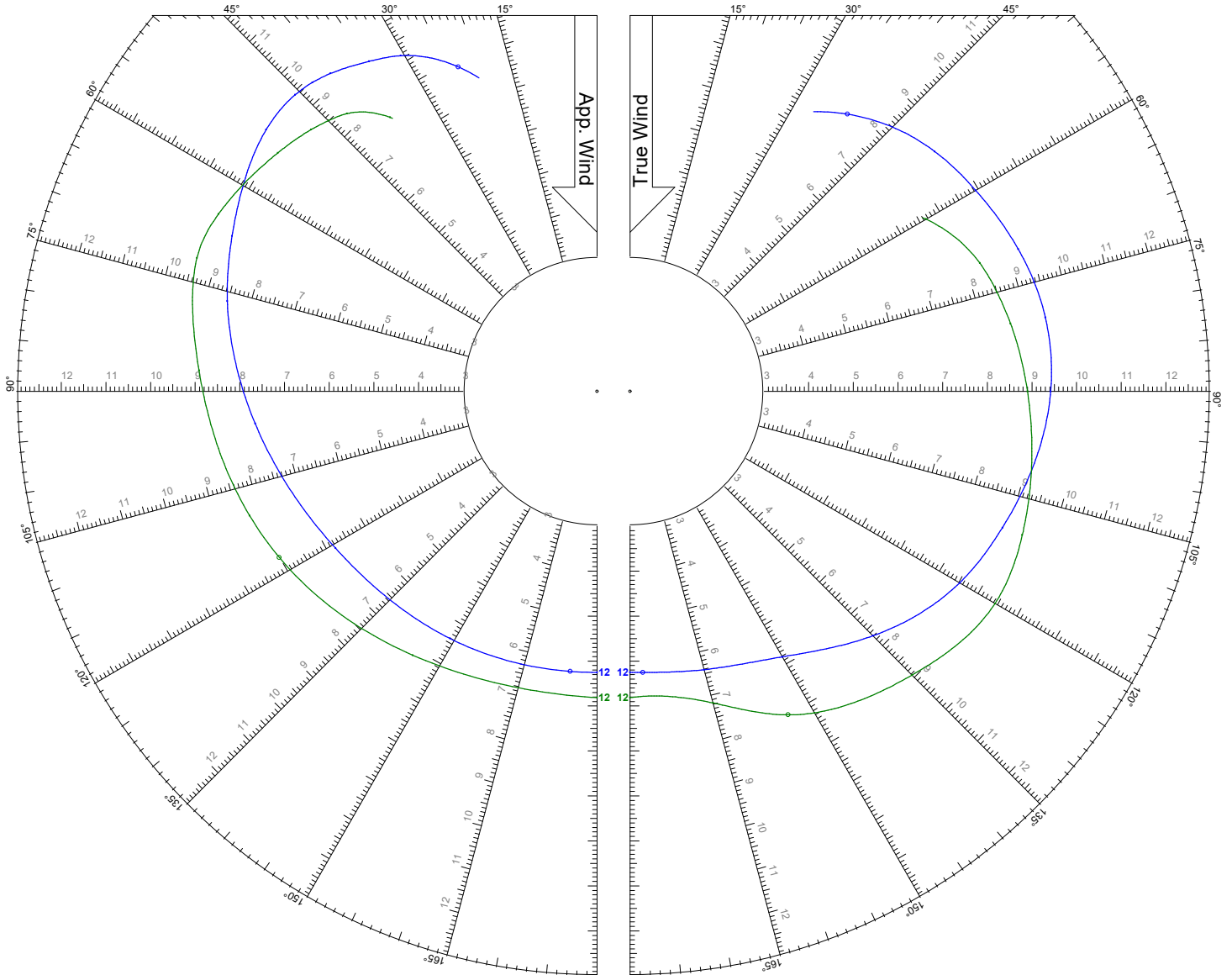
Symmetric Spinnaker



ORC

World Leader in Rating Technology

# Speed Guide



## Polar Plot for Boat

Name **Arcona white**  
Sail Number **100**  
Class **ARCONA 465**  
Designer **S.QVIBERG**  
Builder **ARCONA YACHTS**  
Issued On **19/01/2016 - VPP 2016 a028**

**TWS: 12 kts**

**Jib**

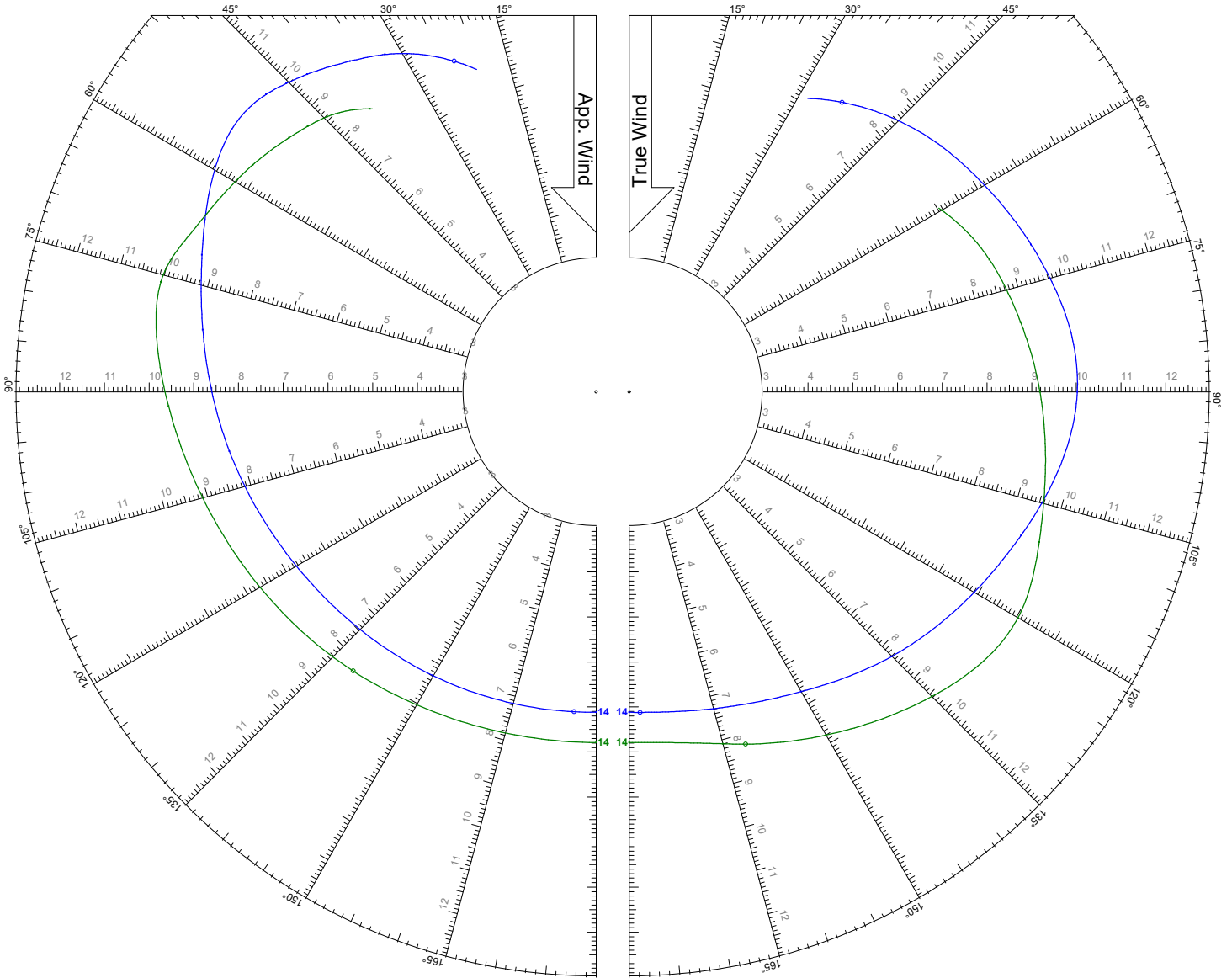
**Symmetric Spinnaker**



ORC

World Leader in Rating Technology

# Speed Guide



### Polar Plot for Boat

Name **Arcona white**  
Sail Number **100**  
Class **ARCONA 465**  
Designer **S.QVIBERG**  
Builder **ARCONA YACHTS**  
Issued On **19/01/2016 - VPP 2016 a028**

**TWS: 14 kts**

**Jib**

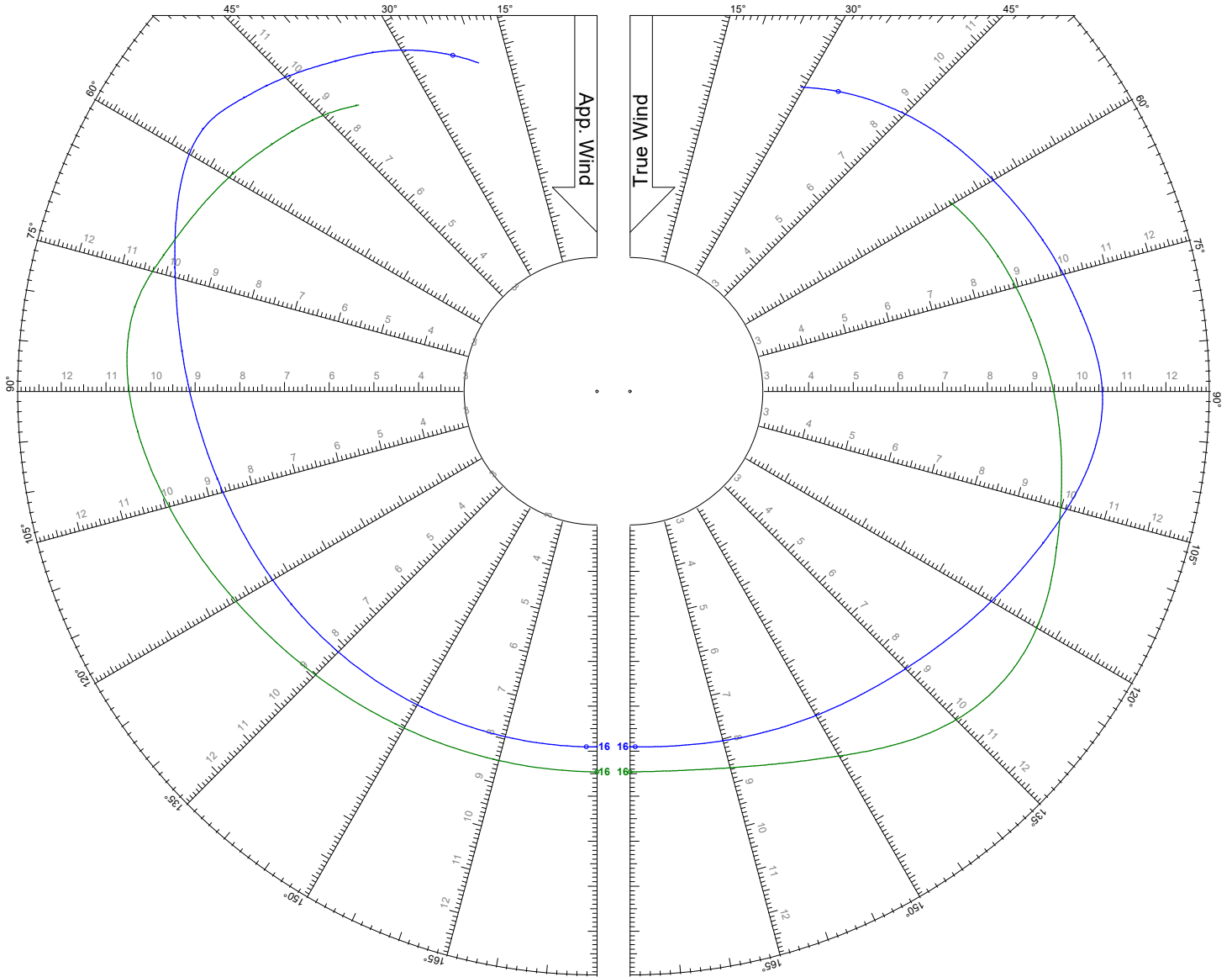
**Symmetric Spinnaker**



ORC

World Leader in Rating Technology

# Speed Guide



Polar Plot for Boat	
Name	Arcona white
Sail Number	100
Class	ARCONA 465
Designer	S.QVIBERG
Builder	ARCONA YACHTS
Issued On	19/01/2016 - VPP 2016 a028

TWS: 16 kts

Jib

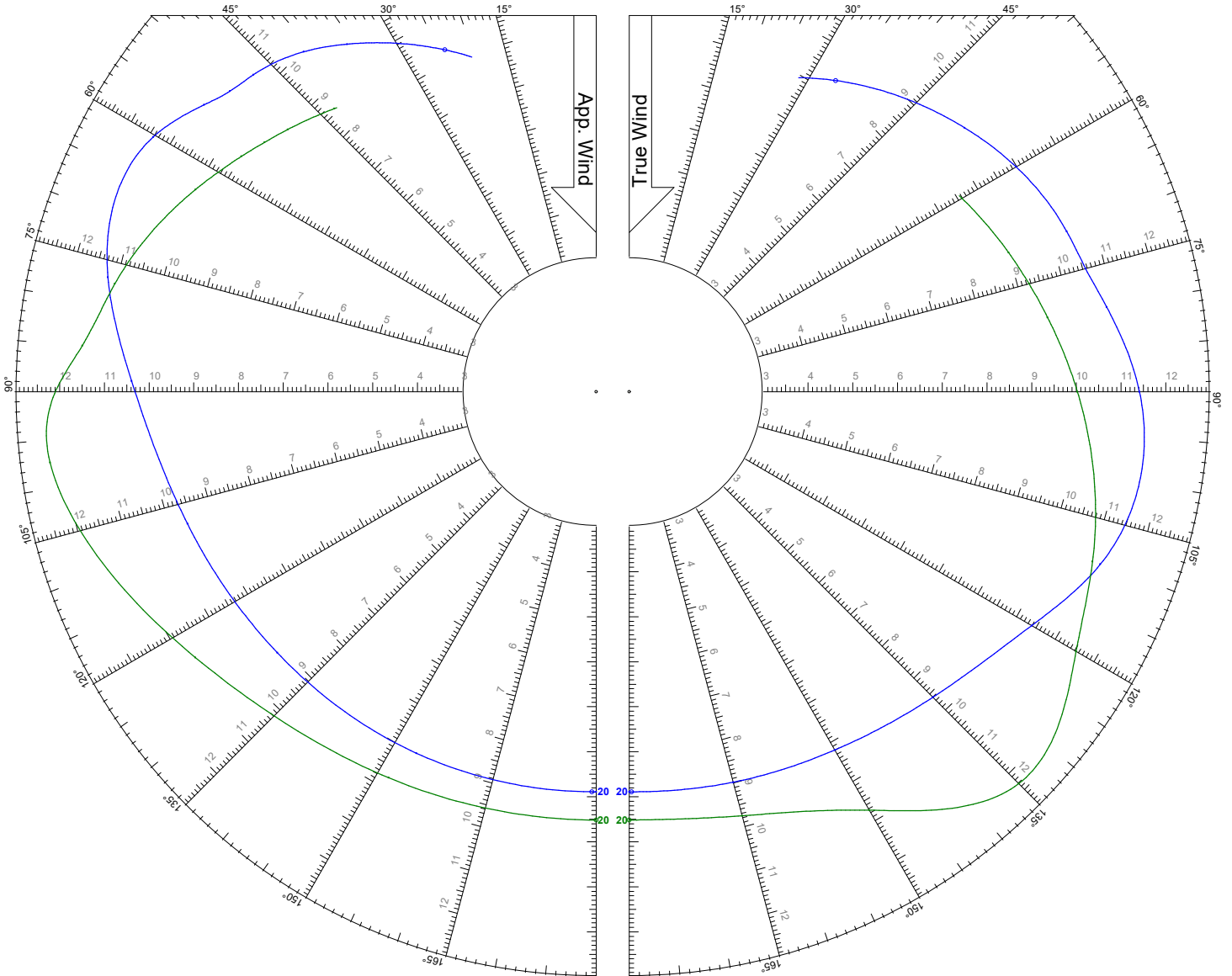
Symmetric Spinnaker



ORC

World Leader in Rating Technology

# Speed Guide



Polar Plot for Boat	
Name	Arcona white
Sail Number	100
Class	ARCONA 465
Designer	S.QVIBERG
Builder	ARCONA YACHTS
Issued On	19/01/2016 - VPP 2016 a028

TWS: 20 kts

Jib

Symmetric Spinnaker





World Leader in Rating Technology  
 © Offshore Racing Congress 2016  
 www.orc.org

**Polar Tables**

Boat Name: **Arcona white**  
 Sail No: **100**  
 Sail: **Best Performance**  
 Issued On: **19/01/2016 - VPP 2016 a028**

TWS = 6 Kts							
TWA	BTV	VMG	AWS	AWA	Heel	Reef	Flat
43.4° (b)	5.80	4.21	10.96	22.1°	6.2°	1.00	0.95
52°	6.49	3.99	11.23	24.9°	7.0°	1.00	0.96
60°	6.93	3.46	11.20	27.6°	7.1°	1.00	0.97
70°	7.27	2.49	10.89	31.2°	6.6°	1.00	1.00
75°	7.36	1.90	10.63	33.0°	5.9°	1.00	1.00
80°	7.40	1.29	10.31	35.0°	5.3°	1.00	1.00
90°	7.34	0.00	9.48	39.3°	4.3°	1.00	1.00
110°	6.83	2.34	7.39	49.7°	12.6°	1.00	1.00
120°	6.60	3.30	6.32	55.3°	11.7°	1.00	1.00
135°	5.91	4.18	4.56	68.6°	9.4°	1.00	1.00
150°	4.72	4.08	3.04	99.1°	6.3°	1.00	1.00
165°	3.81	3.68	2.52	141.9°	5.5°	1.00	1.00
180°	3.57	3.57	2.43	180.0°	5.3°	1.00	1.00
142.3° (r)	5.42	4.29	3.73	79.7°	7.7°	1.00	1.00

TWS = 8 Kts							
TWA	BTV	VMG	AWS	AWA	Heel	Reef	Flat
42.5° (b)	6.96	5.13	13.95	22.8°	14.3°	1.00	0.94
52°	7.79	4.80	14.19	26.4°	15.5°	1.00	0.96
60°	8.14	4.07	13.98	29.7°	15.0°	1.00	0.98
70°	8.34	2.85	13.38	34.2°	13.3°	1.00	1.00
75°	8.38	2.17	13.00	36.5°	11.8°	1.00	1.00
80°	8.40	1.46	12.56	38.8°	10.3°	1.00	1.00
90°	8.36	0.00	11.57	43.7°	7.2°	1.00	1.00
110°	8.22	2.81	9.30	53.9°	15.9°	1.00	1.00
120°	8.06	4.03	8.03	59.6°	13.8°	1.00	1.00
135°	7.37	5.21	5.91	73.2°	11.1°	1.00	1.00
150°	6.03	5.23	4.10	102.6°	7.1°	1.00	1.00
165°	5.01	4.84	3.42	142.7°	5.7°	1.00	1.00
180°	4.72	4.72	3.28	180.0°	5.4°	1.00	1.00
140.6° (r)	6.94	5.36	5.13	81.6°	9.8°	1.00	1.00

TWS = 10 Kts							
TWA	BTV	VMG	AWS	AWA	Heel	Reef	Flat
40.2° (b)	7.57	5.78	16.52	23.0°	20.2°	1.00	0.85
52°	8.39	5.17	16.55	28.4°	23.5°	1.00	0.92
60°	8.65	4.32	16.17	32.4°	22.4°	1.00	0.95
70°	8.84	3.02	15.45	37.5°	19.9°	1.00	0.98
75°	8.90	2.30	15.01	40.1°	18.3°	1.00	1.00
80°	8.92	1.55	14.51	42.7°	15.8°	1.00	1.00
90°	8.88	0.00	13.37	48.4°	11.1°	1.00	1.00
110°	8.89	3.04	10.87	59.8°	20.7°	1.00	0.99
120°	8.78	4.39	9.45	66.4°	16.0°	1.00	1.00
135°	8.35	5.91	7.19	79.7°	11.9°	1.00	1.00
150°	7.24	6.27	5.20	105.8°	8.0°	1.00	1.00
165°	6.10	5.90	4.40	143.9°	6.0°	1.00	1.00
180°	5.79	5.79	4.21	180.0°	5.5°	1.00	1.00
144.9° (r)	7.75	6.35	5.76	94.3°	9.8°	1.00	1.00

TWS = 12 Kts							
TWA	BTV	VMG	AWS	AWA	Heel	Reef	Flat
38.3° (b)	7.85	6.16	18.80	23.3°	22.2°	1.00	0.71
52°	8.66	5.33	18.63	30.5°	24.8°	1.00	0.78
60°	8.94	4.47	18.20	34.8°	25.7°	1.00	0.84
70°	9.25	3.16	17.48	40.2°	26.3°	1.00	0.93
75°	9.37	2.43	17.03	42.9°	24.6°	1.00	0.96
80°	9.44	1.64	16.51	45.7°	22.7°	1.00	0.99
90°	9.42	0.00	15.26	51.9°	15.8°	1.00	1.00
110°	9.35	3.20	12.44	65.1°	22.0°	0.96	0.93
120°	9.44	4.72	10.95	71.7°	19.2°	1.00	1.00
135°	8.93	6.31	8.50	87.0°	12.7°	1.00	1.00
150°	8.26	7.15	6.37	109.6°	9.2°	1.00	1.00
165°	7.18	6.93	5.40	144.9°	6.4°	1.00	1.00
180°	6.81	6.81	5.19	180.0°	5.6°	1.00	1.00
153.8° (r)	8.02	7.20	5.97	117.4°	8.1°	1.00	1.00

TWS = 14 Kts							
TWA	BTV	VMG	AWS	AWA	Heel	Reef	Flat
36.5° (b)	8.00	6.43	20.98	23.4°	22.7°	1.00	0.60
52°	8.86	5.45	20.67	32.3°	25.7°	1.00	0.67
60°	9.18	4.59	20.21	36.9°	27.1°	1.00	0.73
70°	9.56	3.27	19.47	42.5°	28.2°	1.00	0.82
75°	9.74	2.52	19.01	45.3°	28.5°	1.00	0.87
80°	9.91	1.72	18.50	48.2°	28.4°	1.00	0.93
90°	10.02	0.00	17.22	54.4°	22.3°	1.00	1.00
110°	9.76	3.34	14.06	69.3°	22.0°	0.90	0.94
120°	10.04	5.02	12.50	75.9°	22.0°	0.99	0.94
135°	9.57	6.77	9.91	91.9°	14.1°	1.00	1.00
150°	8.80	7.62	7.75	115.4°	10.3°	1.00	1.00
165°	8.09	7.82	6.53	146.3°	6.9°	1.00	1.00
180°	7.79	7.79	6.21	180.0°	5.7°	1.00	1.00
161.6° (r)	8.25	7.83	6.70	138.8°	7.3°	1.00	1.00

TWS = 16 Kts							
TWA	BTV	VMG	AWS	AWA	Heel	Reef	Flat
35.0° (b)	8.14	6.67	23.14	23.4°	21.5°	0.58	0.59
52°	9.05	5.57	22.72	33.7°	23.0°	0.81	0.59
60°	9.39	4.69	22.24	38.6°	27.6°	1.00	0.64
70°	9.83	3.36	21.46	44.5°	29.3°	1.00	0.72
75°	10.05	2.60	20.98	47.5°	29.6°	1.00	0.77
80°	10.25	1.78	20.45	50.4°	29.7°	1.00	0.83
90°	10.58	0.00	19.18	56.5°	27.5°	1.00	0.96
110°	10.17	3.48	15.75	72.7°	21.9°	0.84	0.94
120°	10.52	5.26	14.08	79.7°	22.0°	0.93	0.94
135°	10.32	7.30	11.36	95.0°	15.6°	1.00	1.00
150°	9.36	8.11	9.18	119.3°	10.9°	1.00	1.00
165°	8.66	8.37	7.96	148.6°	7.5°	1.00	1.00
180°	8.46	8.46	7.54	180.0°	5.8°	1.00	1.00
180.0° (r)	8.46	8.46	7.54	180.0°	5.8°	1.00	1.00

TWS = 20 Kts							
TWA	BTV	VMG	AWS	AWA	Heel	Reef	Flat
33.8° (b)	8.31	6.91	27.30	24.0°	22.3°	0.43	0.59
52°	9.52	5.86	26.93	35.8°	26.2°	0.48	0.59
60°	9.99	4.99	26.45	40.9°	25.8°	0.50	0.59
70°	10.41	3.56	25.51	47.5°	25.4°	0.74	0.59
75°	10.57	2.73	24.92	50.8°	30.0°	1.00	0.61
80°	10.84	1.88	24.35	54.0°	30.5°	1.00	0.67
90°	11.41	0.00	23.03	60.3°	31.1°	1.00	0.81
110°	11.21	3.83	19.30	76.9°	16.4°	1.00	1.00
120°	11.54	5.77	17.39	84.9°	22.0°	0.84	0.94
135°	12.32	8.71	14.26	97.4°	21.8°	1.00	0.99
150°	10.74	9.30	11.97	123.4°	12.0°	1.00	1.00
165°	9.75	9.42	10.88	151.6°	9.0°	1.00	1.00
180°	9.52	9.52	10.48	180.0°	6.2°	1.00	1.00
180.0° (r)	9.52	9.52	10.48	180.0°	6.2°	1.00	1.00



World Leader in Rating Technology  
 © Offshore Racing Congress 2016  
 www.orc.org

**Polar Tables**

Boat Name: **Arcona white**

Sail No: **100**

Sail: **Jib**

Issued On: **19/01/2016 - VPP 2016 a028**

**TWS = 6 Kts**

TWA	BTV	VMG	AWS	AWA	Heel	Reef	Flat
43.4° (b)	5.80	4.21	10.91	21.9°	6.2°	1.00	0.95
52°	6.49	3.99	11.16	24.6°	7.0°	1.00	0.96
60°	6.93	3.46	11.14	27.3°	7.1°	1.00	0.97
70°	7.27	2.49	10.83	30.8°	6.6°	1.00	1.00
75°	7.36	1.90	10.58	32.7°	5.9°	1.00	1.00
80°	7.40	1.29	10.26	34.7°	5.3°	1.00	1.00
90°	7.34	0.00	9.44	38.9°	4.3°	1.00	1.00
110°	6.64	2.27	7.24	50.5°	2.5°	1.00	1.00
120°	5.93	2.96	5.94	60.2°	1.6°	1.00	1.00
135°	4.55	3.22	4.22	85.4°	0.7°	1.00	1.00
150°	3.68	3.19	3.32	116.3°	0.4°	1.00	1.00
165°	3.37	3.26	2.83	147.1°	0.2°	1.00	1.00
180°	3.26	3.26	2.69	180.0°	0.1°	1.00	1.00
172.7° (r)	3.30	3.27	2.72	163.8°	0.1°	1.00	1.00

**TWS = 8 Kts**

TWA	BTV	VMG	AWS	AWA	Heel	Reef	Flat
42.5° (b)	6.96	5.13	13.79	22.0°	14.3°	1.00	0.94
52°	7.79	4.80	14.00	25.4°	15.5°	1.00	0.96
60°	8.14	4.07	13.77	28.7°	15.0°	1.00	0.98
70°	8.34	2.85	13.20	33.2°	13.3°	1.00	1.00
75°	8.38	2.17	12.83	35.7°	11.8°	1.00	1.00
80°	8.40	1.46	12.42	38.1°	10.3°	1.00	1.00
90°	8.36	0.00	11.48	43.3°	7.2°	1.00	1.00
110°	7.85	2.69	9.05	55.4°	3.4°	1.00	1.00
120°	7.12	3.56	7.56	65.3°	2.2°	1.00	1.00
135°	5.75	4.07	5.61	88.6°	1.0°	1.00	1.00
150°	4.84	4.19	4.46	117.2°	0.6°	1.00	1.00
165°	4.46	4.31	3.81	147.3°	0.4°	1.00	1.00
180°	4.33	4.33	3.61	180.0°	0.1°	1.00	1.00
174.0° (r)	4.36	4.33	3.64	166.8°	0.2°	1.00	1.00

**TWS = 10 Kts**

TWA	BTV	VMG	AWS	AWA	Heel	Reef	Flat
40.2° (b)	7.57	5.78	16.21	21.6°	20.2°	1.00	0.85
52°	8.39	5.17	16.07	26.1°	23.5°	1.00	0.92
60°	8.65	4.32	15.67	30.1°	22.4°	1.00	0.95
70°	8.84	3.02	14.98	35.4°	19.9°	1.00	0.98
75°	8.90	2.30	14.58	38.3°	18.3°	1.00	1.00
80°	8.92	1.55	14.16	41.3°	15.8°	1.00	1.00
90°	8.88	0.00	13.16	47.6°	11.1°	1.00	1.00
110°	8.46	2.89	10.59	61.4°	4.0°	1.00	1.00
120°	8.03	4.01	9.12	70.3°	2.7°	1.00	1.00
135°	6.78	4.79	7.02	92.0°	1.4°	1.00	1.00
150°	5.87	5.09	5.66	118.7°	1.0°	1.00	1.00
165°	5.48	5.29	4.85	148.0°	0.6°	1.00	1.00
180°	5.33	5.33	4.60	180.0°	0.2°	1.00	1.00
176.0° (r)	5.34	5.33	4.61	171.3°	0.3°	1.00	1.00

**TWS = 12 Kts**

TWA	BTV	VMG	AWS	AWA	Heel	Reef	Flat
38.3° (b)	7.85	6.16	18.38	21.6°	22.2°	1.00	0.71
52°	8.66	5.33	17.97	27.9°	24.8°	1.00	0.78
60°	8.94	4.47	17.40	31.7°	25.7°	1.00	0.84
70°	9.25	3.16	16.53	36.7°	26.3°	1.00	0.93
75°	9.37	2.43	16.14	39.7°	24.6°	1.00	0.96
80°	9.44	1.64	15.70	43.0°	22.7°	1.00	0.99
90°	9.42	0.00	14.78	50.4°	15.8°	1.00	1.00
110°	8.87	3.03	12.14	66.7°	4.8°	1.00	1.00
120°	8.52	4.26	10.61	76.0°	3.2°	1.00	1.00
135°	7.69	5.44	8.45	94.9°	1.8°	1.00	1.00
150°	6.82	5.91	6.90	120.4°	1.3°	1.00	1.00
165°	6.41	6.19	5.95	148.8°	0.8°	1.00	1.00
180°	6.25	6.25	5.66	180.0°	0.2°	1.00	1.00
177.4° (r)	6.26	6.25	5.66	174.4°	0.3°	1.00	1.00

**TWS = 14 Kts**

TWA	BTV	VMG	AWS	AWA	Heel	Reef	Flat
36.5° (b)	8.00	6.43	20.47	21.6°	22.7°	1.00	0.60
52°	8.86	5.45	19.82	29.3°	25.7°	1.00	0.67
60°	9.18	4.59	19.16	33.3°	27.1°	1.00	0.73
70°	9.56	3.27	18.17	38.4°	28.2°	1.00	0.82
75°	9.74	2.52	17.61	41.1°	28.5°	1.00	0.87
80°	9.91	1.72	17.03	43.9°	28.4°	1.00	0.93
90°	10.02	0.00	16.18	51.7°	22.3°	1.00	1.00
110°	9.32	3.19	13.75	70.6°	6.3°	1.00	1.00
120°	8.91	4.45	12.16	80.7°	3.7°	1.00	1.00
135°	8.31	5.87	9.93	98.8°	2.3°	1.00	1.00
150°	7.69	6.66	8.19	122.0°	1.7°	1.00	1.00
165°	7.29	7.04	7.11	149.6°	1.1°	1.00	1.00
180°	7.12	7.12	6.77	180.0°	0.3°	1.00	1.00
178.1° (r)	7.12	7.12	6.78	176.0°	0.4°	1.00	1.00

**TWS = 16 Kts**

TWA	BTV	VMG	AWS	AWA	Heel	Reef	Flat
35.0° (b)	8.14	6.67	22.62	21.8°	21.5°	0.58	0.59
52°	9.05	5.57	21.90	31.3°	23.0°	0.81	0.59
60°	9.39	4.69	20.95	34.8°	27.6°	1.00	0.64
70°	9.83	3.36	19.82	40.1°	29.3°	1.00	0.72
75°	10.05	2.60	19.21	42.9°	29.6°	1.00	0.77
80°	10.25	1.78	18.58	45.8°	29.7°	1.00	0.83
90°	10.58	0.00	17.43	52.6°	27.5°	1.00	0.96
110°	9.85	3.37	15.37	73.3°	8.8°	1.00	1.00
120°	9.34	4.67	13.77	84.1°	4.5°	1.00	1.00
135°	8.72	6.17	11.49	102.6°	2.9°	1.00	1.00
150°	8.32	7.21	9.61	124.4°	2.2°	1.00	1.00
165°	8.04	7.77	8.37	150.6°	1.4°	1.00	1.00
180°	7.90	7.90	7.97	180.0°	0.4°	1.00	1.00
179.1° (r)	7.91	7.90	7.97	178.3°	0.5°	1.00	1.00

**TWS = 20 Kts**

TWA	BTV	VMG	AWS	AWA	Heel	Reef	Flat
33.8° (b)	8.31	6.91	26.24	22.1°	22.3°	0.43	0.59
52°	9.52	5.86	25.51	32.6°	26.2°	0.48	0.59
60°	9.99	4.99	24.96	37.6°	25.8°	0.50	0.59
70°	10.41	3.56	23.83	44.2°	25.4°	0.74	0.59
75°	10.57	2.73	22.53	46.2°	30.0°	1.00	0.61
80°	10.84	1.88	21.76	49.2°	30.5°	1.00	0.67
90°	11.41	0.00	20.16	55.5°	31.1°	1.00	0.81
110°	11.21	3.83	18.34	75.9°	16.4°	1.00	1.00
120°	10.39	5.20	16.99	88.4°	8.3°	1.00	1.00
135°	9.60	6.79	14.67	107.6°	4.4°	1.00	1.00
150°	9.19	7.96	12.73	128.9°	3.3°	1.00	1.00
165°	8.98	8.68	11.41	153.3°	2.2°	1.00	1.00
180°	8.89	8.89	10.96	180.0°	0.7°	1.00	1.00
179.7° (r)	8.89	8.89	10.96	179.4°	0.8°	1.00	1.00



World Leader in Rating Technology  
 © Offshore Racing Congress 2016  
 www.orc.org

**Polar Tables**

Boat Name: **Arcona white**

Sail No: **100**

Sail: **Symmetric Spinnaker**

Issued On: **19/01/2016 - VPP 2016 a028**

**TWS = 6 Kts**

TWA	BTV	VMG	AWS	AWA	Heel	Reef	Flat
60°	4.65	2.32	9.26	33.8°	12.0°	1.00	0.95
70°	5.63	1.92	9.52	35.9°	12.8°	1.00	0.96
75°	6.01	1.56	9.50	37.0°	13.2°	1.00	0.96
80°	6.33	1.10	9.41	38.2°	13.7°	1.00	0.96
90°	6.77	0.00	8.98	41.0°	14.2°	1.00	0.96
110°	6.83	2.34	7.33	49.6°	12.6°	1.00	1.00
120°	6.60	3.30	6.27	55.5°	11.7°	1.00	1.00
135°	5.91	4.18	4.54	69.4°	9.4°	1.00	1.00
150°	4.72	4.08	3.09	100.6°	6.3°	1.00	1.00
165°	3.81	3.68	2.61	142.9°	5.5°	1.00	1.00
180°	3.57	3.57	2.53	180.0°	5.3°	1.00	1.00
142.3° (r)	5.42	4.29	3.74	81.0°	7.7°	1.00	1.00

**TWS = 8 Kts**

TWA	BTV	VMG	AWS	AWA	Heel	Reef	Flat
60°	5.99	2.99	12.10	34.0°	15.4°	1.00	0.95
70°	7.12	2.44	12.28	36.3°	17.0°	1.00	0.95
75°	7.55	1.95	12.16	37.6°	18.2°	1.00	0.95
80°	7.86	1.36	11.90	38.9°	19.8°	1.00	0.95
90°	8.18	0.00	11.17	42.9°	19.7°	1.00	0.96
110°	8.22	2.81	9.12	53.4°	15.9°	1.00	1.00
120°	8.06	4.03	7.91	59.6°	13.8°	1.00	1.00
135°	7.37	5.21	5.87	73.9°	11.1°	1.00	1.00
150°	6.03	5.23	4.16	104.1°	7.1°	1.00	1.00
165°	5.01	4.84	3.54	143.7°	5.7°	1.00	1.00
180°	4.72	4.72	3.42	180.0°	5.4°	1.00	1.00
140.6° (r)	6.94	5.36	5.13	82.7°	9.8°	1.00	1.00

**TWS = 10 Kts**

TWA	BTV	VMG	AWS	AWA	Heel	Reef	Flat
60°	7.07	3.53	14.56	33.8°	21.8°	1.00	0.93
70°	7.96	2.72	14.31	37.4°	22.0°	0.92	0.92
75°	8.20	2.12	13.98	39.6°	22.0°	0.91	0.92
80°	8.37	1.45	13.58	41.9°	22.0°	0.90	0.92
90°	8.61	0.00	12.64	47.1°	22.0°	0.93	0.93
110°	8.89	3.04	10.40	58.4°	20.7°	1.00	0.99
120°	8.78	4.39	9.21	66.2°	16.0°	1.00	1.00
135°	8.35	5.91	7.12	80.5°	11.9°	1.00	1.00
150°	7.24	6.27	5.27	107.2°	8.0°	1.00	1.00
165°	6.10	5.90	4.55	144.9°	6.0°	1.00	1.00
180°	5.79	5.79	4.39	180.0°	5.5°	1.00	1.00
144.9° (r)	7.75	6.35	5.78	95.6°	9.8°	1.00	1.00

**TWS = 12 Kts**

TWA	BTV	VMG	AWS	AWA	Heel	Reef	Flat
60°	7.65	3.83	16.62	35.1°	21.8°	0.88	0.93
70°	8.33	2.85	16.08	39.7°	21.9°	0.82	0.92
75°	8.51	2.20	15.68	42.5°	22.0°	0.84	0.86
80°	8.65	1.50	15.19	45.2°	21.9°	0.83	0.93
90°	8.90	0.00	14.14	51.0°	21.9°	0.85	0.93
110°	9.35	3.20	11.71	63.4°	22.0°	0.96	0.93
120°	9.44	4.72	10.47	71.2°	19.2°	1.00	1.00
135°	8.93	6.31	8.41	87.8°	12.7°	1.00	1.00
150°	8.26	7.15	6.44	110.9°	9.2°	1.00	1.00
165°	7.18	6.93	5.58	145.8°	6.4°	1.00	1.00
180°	6.81	6.81	5.40	180.0°	5.6°	1.00	1.00
153.8° (r)	8.02	7.20	6.08	118.8°	8.1°	1.00	1.00

**TWS = 14 Kts**

TWA	BTV	VMG	AWS	AWA	Heel	Reef	Flat
60°	8.07	4.03	18.53	36.4°	21.8°	0.79	0.93
70°	8.58	2.93	17.78	41.9°	21.9°	0.75	0.92
75°	8.74	2.26	17.31	44.9°	21.9°	0.76	0.93
80°	8.89	1.54	16.79	47.9°	22.0°	0.77	0.93
90°	9.19	0.00	15.68	54.1°	21.9°	0.79	0.93
110°	9.76	3.34	13.11	67.6°	22.0°	0.90	0.94
120°	10.04	5.02	11.70	75.2°	22.0°	0.99	0.94
135°	9.57	6.77	9.74	92.7°	14.1°	1.00	1.00
150°	8.80	7.62	7.83	116.7°	10.3°	1.00	1.00
165°	8.09	7.82	6.74	147.1°	6.9°	1.00	1.00
180°	7.79	7.79	6.45	180.0°	5.7°	1.00	1.00
161.6° (r)	8.25	7.83	6.90	139.7°	7.3°	1.00	1.00

**TWS = 16 Kts**

TWA	BTV	VMG	AWS	AWA	Heel	Reef	Flat
60°	8.33	4.17	20.34	37.8°	21.8°	0.72	0.92
70°	8.77	3.00	19.47	43.8°	21.8°	0.70	0.92
75°	8.95	2.32	18.97	47.0°	21.8°	0.71	0.93
80°	9.12	1.58	18.43	50.2°	21.9°	0.72	0.93
90°	9.48	0.00	17.26	56.7°	21.9°	0.74	0.93
110°	10.17	3.48	14.55	70.8°	21.9°	0.84	0.94
120°	10.52	5.26	13.07	78.8°	22.0°	0.93	0.94
135°	10.32	7.30	11.09	95.9°	15.6°	1.00	1.00
150°	9.36	8.11	9.26	120.6°	10.9°	1.00	1.00
165°	8.66	8.37	8.20	149.4°	7.5°	1.00	1.00
180°	8.46	8.46	7.82	180.0°	5.8°	1.00	1.00
180.0° (r)	8.46	8.46	7.82	180.0°	5.8°	1.00	1.00

**TWS = 20 Kts**

TWA	BTV	VMG	AWS	AWA	Heel	Reef	Flat
60°	8.59	4.30	23.94	40.3°	22.0°	0.70	0.67
70°	9.03	3.09	22.96	47.1°	22.1°	0.70	0.68
75°	9.26	2.40	22.40	50.5°	22.1°	0.70	0.70
80°	9.50	1.65	21.81	53.9°	22.1°	0.70	0.72
90°	10.02	0.00	20.51	60.7°	22.0°	0.70	0.81
110°	11.03	3.77	17.53	75.6°	21.9°	0.76	0.94
120°	11.54	5.77	15.91	83.9°	22.0°	0.84	0.94
135°	12.32	8.71	13.36	98.3°	21.8°	1.00	0.99
150°	10.74	9.30	12.06	124.6°	12.0°	1.00	1.00
165°	9.75	9.42	11.16	152.3°	9.0°	1.00	1.00
180°	9.52	9.52	10.83	180.0°	6.2°	1.00	1.00
180.0° (r)	9.52	9.52	10.83	180.0°	6.2°	1.00	1.00